

KEY PLAN

DATE	DESCRIPTION	REV
13/01/25	Revised tender	A
-	-	-
-	-	-
-	-	-
-	-	-
-	-	-
-	-	-
-	-	-
-	-	-

REVISIONS

Weddin Shire Council
73 Camp Street
Grenfell, NSW 2810

CLIENT

ARCHITECT

TAYLOR PARK
Weddin Street
Grenfell, NSW 2810

PROJECT

TENDER
DOCUMENTATION

PURPOSE OF DRAWING

HARDWORKS
LANDSCAPE DETAILS

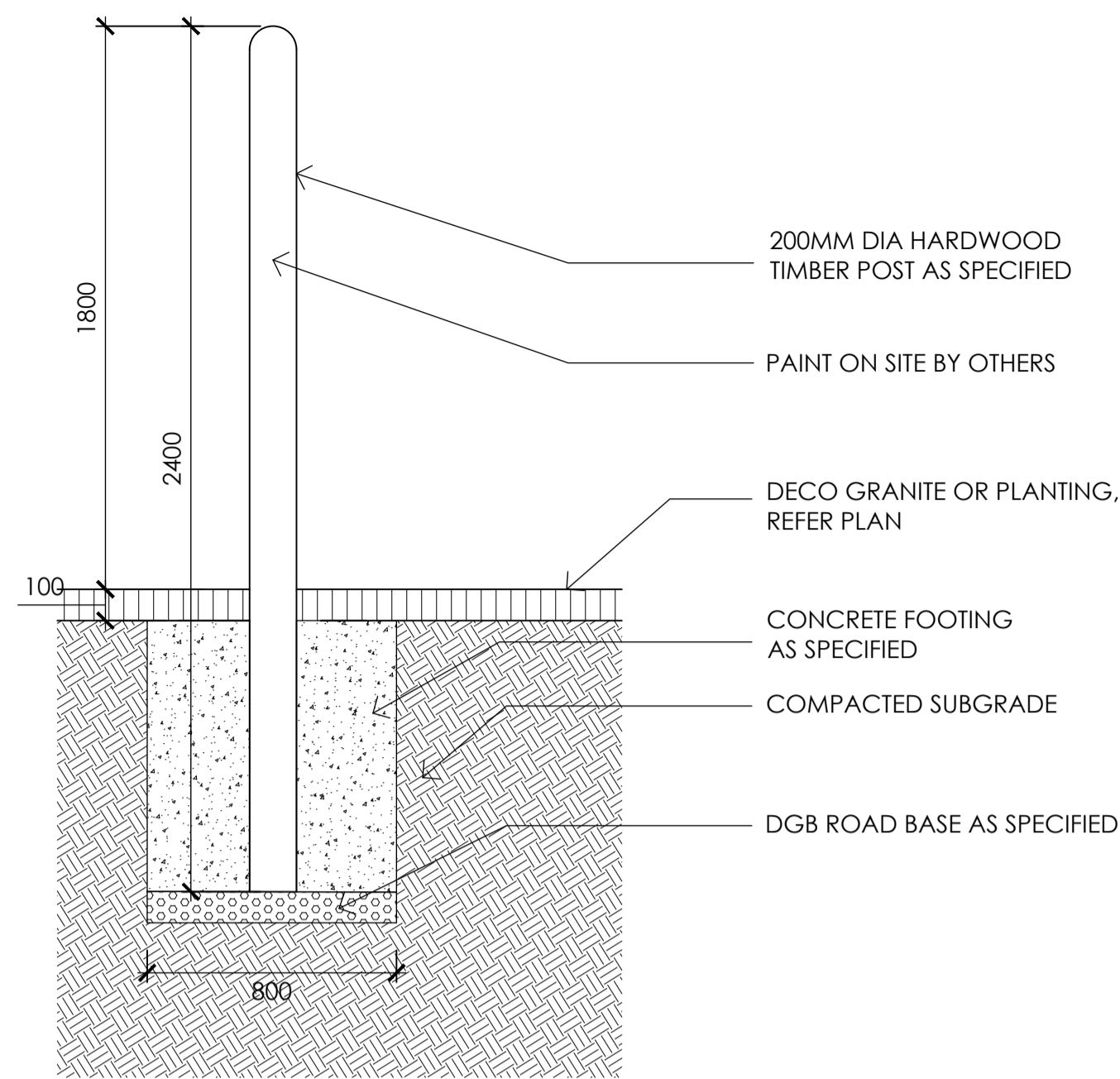
DRAWING TITLE

NORTH SCALE BAR

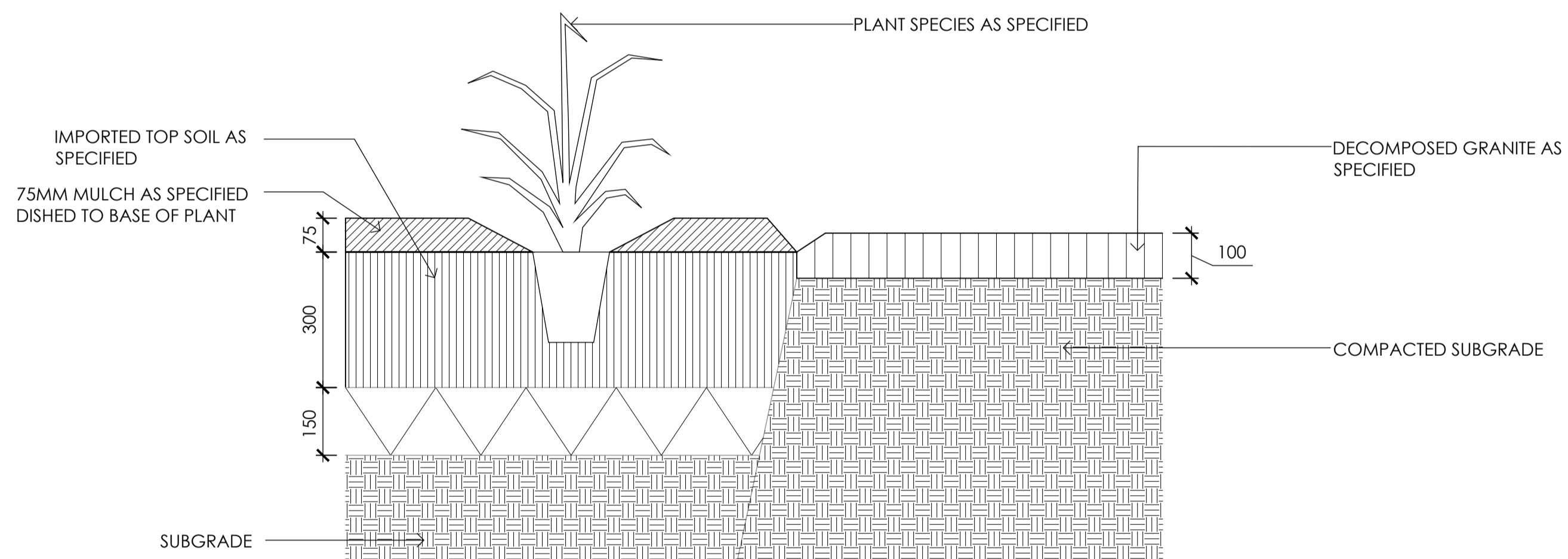
SCALE	AS SHOWN @ A1	DRAWN BY	XS
DATE	13/01/2025	CHECKED BY	SA
JOB NO.	-	APPROVED BY	SA

DRAWING NO.	REVISION
L-601	A

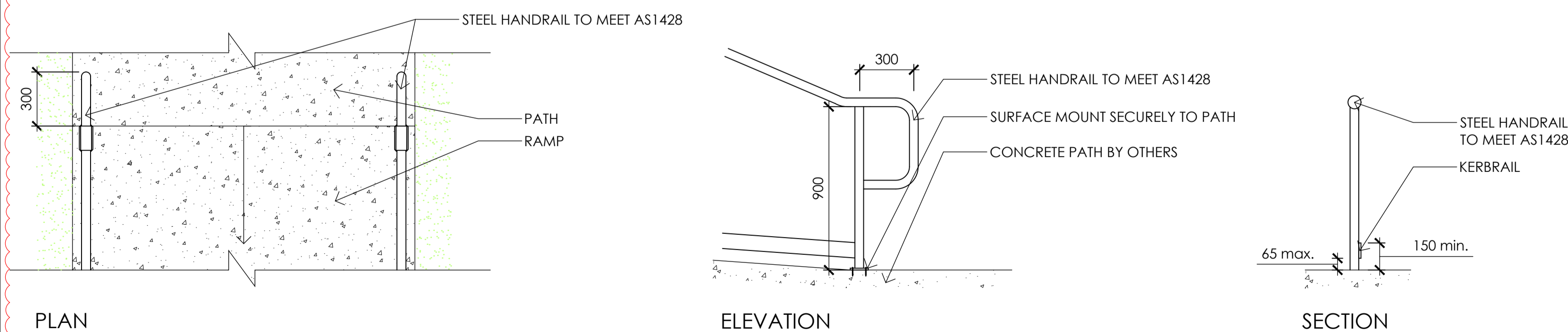
DRAWING INFORMATION



01 STORY POLE
L-601 1:20



02 DECOMPOSED GRANITE AND MASS PLANTING INTERFACE
L-601 1:10



04 HANDRAIL AND KERBRAIL DETAIL PLAN, ELEVATION AND SECTION
L-601 1:20

ACCESSIBLE PARKING MARKINGS AS
SPECIFIED

BOLLARD AS SPECIFIED

CHURCH STREET

03 PARKING DETAIL
L-601 1:50

